

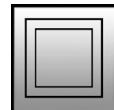
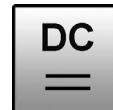
## EA30012E

LED lights  
Workplace light

- / Aluminum housing
- / Plastic windshield, clear
- / Protection class IP54
- / cascable



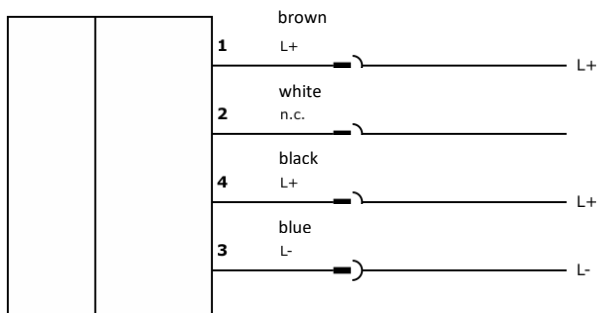
**2 different pairs of light holders included**



### TECHNICAL DATA

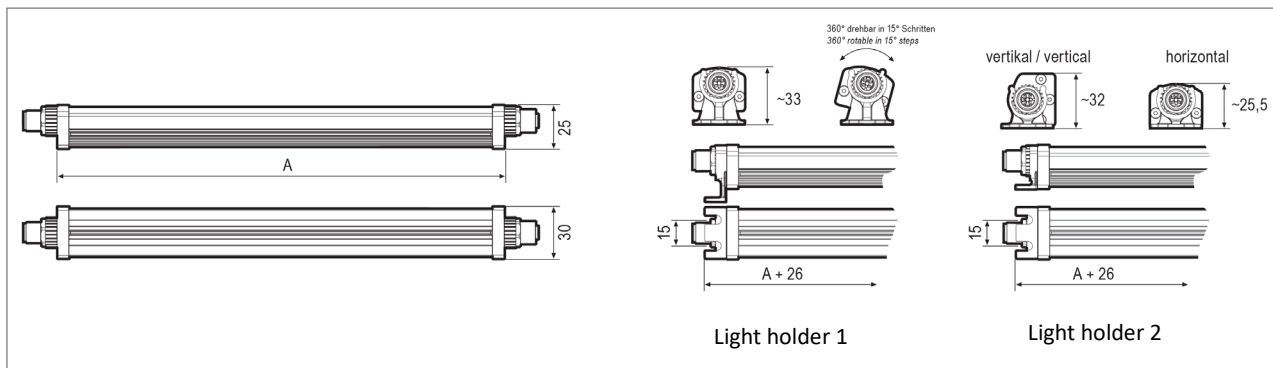
Operating voltage	24V DC ± 10%
Current consumption	typ. 542mA
Power consumption (max.)	typ. 13W
Beam angle	120°
Luminous flux	1,890lm
Light color	5,200 ... 5,700K
Protection class (EN 60529)	IP54
Protection class	III
Housing material	aluminum
Front panel material	Polycarbonat, diffus
Dimensions	30 x 25mm x length
Ambient temperature	-10 ... +45°C
Connection	M12-connector 3pole / M12 socket 3 pole
Connection accessories	e.g. <b>VK200025 / VK030F25</b>
Mounting accessories	Light holder included

### Connection diagram



**Note:** The devices are cascable, the maximum current consumption of all connected devices must not exceed 3A!

**Dimensional drawing**



**Intended use:**

The LED light is designed for general lighting purposes and is suitable for continuous operation.

**General safety:**

Do not open the housing of the light under any circumstances. Only allow repairs to be carried out by qualified personnel. The replacement of damaged connection lines may only be carried out by the manufacturer, his service representative, or a comparable specialist.

Operate the LED light only when mounted.

**Mounting/Fixing:**

The LED light is delivered fully assembled.

The light is mounted using the supplied light holders (see dimensional drawing).

Use light holder 1 if sufficient installation space is available. This gives you the option to rotate the light in 15° increments.

If only little installation space is available, use the light holders 2. This allows both horizontal and vertical alignment of the light.

**Avoid voltage peaks in the power supply via machines:**

When operating the LED lamp with a 24V mains supply, please note that when starting larger machines (inductors) which are also supplied from this mains supply, very strong interference peaks can occur which destroy the LED lamp. Furthermore, hot plugging should be avoided (connecting the light to a power supply that is already connected to the mains), as this can also lead to the destruction of the LED light. This damage can only be repaired with a lot of effort and thus generates high costs.

**Electrical connection and cascading:**

Connect the power supply to the M12-connector using an M12 cable socket (e.g. [VK200025](#)).

It is possible to connect another lamp of the same series to this lamp. An M12 socket is installed for this purpose. Use an M12-connection cable (e.g. [VK030F25](#)) for cascading.

If several lights are to be cascaded, the total current must not exceed the value of 4A.

If the light is operated individually, seal the M12-socket with a suitable blanking plug (e.g. [VK000004](#)) so that the IP54 protection class is maintained.

**For safe operation:**

The operating voltage of the LED lamp specified on the type plate must match the supply voltage of the machine or the power supply unit. The light must never be covered with tissues, foils or similar. Do not shine the light into the eyes. Object distance from the light at least 10cm.

When mounting the LED light, make sure that it is firmly attached with the supplied brackets. If the light falls, there is a risk of injury due to its own weight!

**Change of illuminant:**

The LED light source unit may only be replaced at the factory by qualified personnel.

**Cleaning/Maintenance:**

Special care is not required. In case of heavy soiling, clean with a solvent-free, absorbent cloth or similar.

**Disposal:**

At the end of its service life, the product must be disposed of at a suitable disposal point for the recycling of electrical and electronic equipment in accordance with the country-specific regulations.

**SAFETY INSTRUCTIONS**

LED light systems can produce very intense radiation that can possibly damage the eyes if used improperly.

The manufacturer cannot be held responsible for damage caused by improper use or connection.

Before commissioning, please make sure that all safety instructions listed in the product documentation, if applicable, have been observed!

