

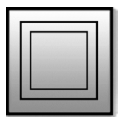
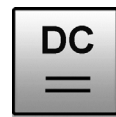
EA30022x

LED-lights
Workplace light

- / Aluminum housing**
- / Plastic front screen, opal white**
- / Protection class IP54**
- / Flicker free light**



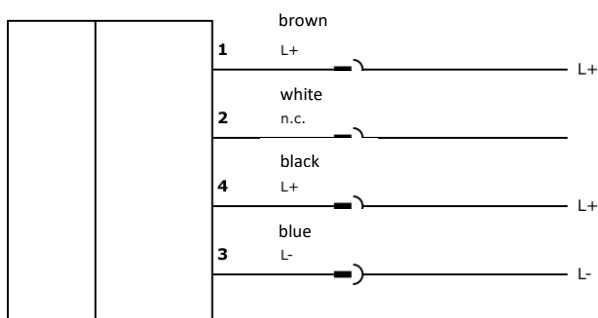
2 different pairs of lamp holders included in delivery



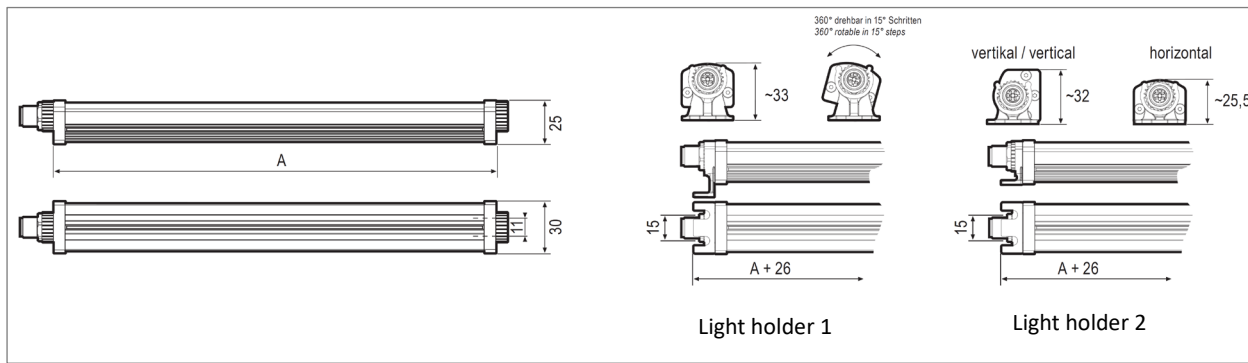
TECHNICAL DATA

Operating voltage	24V DC ± 10%
Current consumption	See article listing
Power consumption (max.)	See article listing
Beam angle	120°
Light color	5,200 ... 5,700K
Protection class (EN 60529)	IP54
Protection class	III
Housing material	aluminum
Front panel material	Polycarbonat, diffus
Dimension	30 x 25mm x length
Ambient temperature	-10 ... +45°C
Connection	M12-connector 3pole
Connection accessories	e.g. VK200025
Mounting accessories	Light holder included
Further mounting accessories	AE000024, AE000025, AE000026

Connection diagram



Dimensional drawing



Article listing

Article no.	Length "A"	Power consumption	Current consumption	Luminous flux
EA300220	180mm	~ 4W	166mA	630lm
EA300221	260mm	~ 6W	250mA	945lm
EA300222	350mm	~ 8W	333mA	1,260lm
EA300223	520mm	~ 13W	542mA	1,890lm
EA300224	760mm	~ 19W	792mA	2,835lm
EA300225	1,020mm	~ 24W	1,000mA	3,780lm
EA300226	1,520mm	~ 37W	1,542mA	5,670lm

Intended use:

The LED light is designed for general lighting purposes and is suitable for continuous operation.

General safety:

Do not open the housing of the light under any circumstances. Only allow repairs to be carried out by qualified personnel. The replacement of damaged connection lines may only be carried out by the manufacturer, his service representative, or a comparable specialist.

Operate the LED light only when mounted.

Mounting/Fixing:

The LED light is delivered fully assembled.

The light is mounted using the supplied light holders (see dimensional drawing).

Use light holder 1 if sufficient installation space is available. This gives you the option to rotate the light in 15° increments.

If only little installation space is available, use the light holders 2. This allows both horizontal and vertical alignment of the light.

Avoid voltage peaks in the power supply via machines:

When operating the LED lamp with a 24V mains supply, please note that when starting larger machines (inductors) which are also supplied from this mains supply, very strong interference peaks can occur which destroy the LED lamp. Furthermore, hot plugging should be avoided (connecting the light to a power supply that is already connected to the mains), as this can also lead to the destruction of the LED light. This damage can only be repaired with a lot of effort and thus generates high costs.

For safe operation:

The operating voltage of the LED lamp specified on the type plate must match the supply voltage of the machine or the power supply unit. The light must never be covered with tissues, foils or similar. Do not shine the light into the eyes. Object distance from the light at least 10cm.

When mounting the LED light, make sure that it is firmly attached with the supplied brackets. If the light falls, there is a risk of injury due to its own weight!

Change of illuminant:

The LED light source unit may only be replaced at the factory by qualified personnel.

Cleaning/Maintenance:

Special care is not required. In case of heavy soiling, clean with a solvent-free, absorbent cloth or similar.

Disposal:

At the end of its service life, the product must be disposed of at a suitable disposal point for the recycling of electrical and electronic equipment in accordance with the country-specific regulations.

**SAFETY INSTRUCTIONS**

LED light systems can produce very intense radiation that can possibly damage the eyes if used improperly. The manufacturer cannot be held responsible for damage caused by improper use or connection.

Before commissioning, please make sure that all safety instructions listed in the product documentation, if applicable, have been observed!