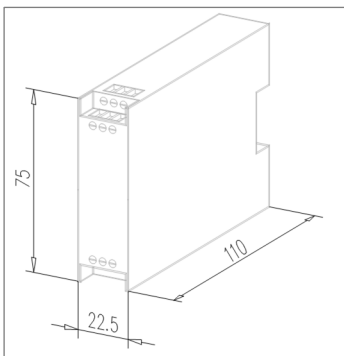


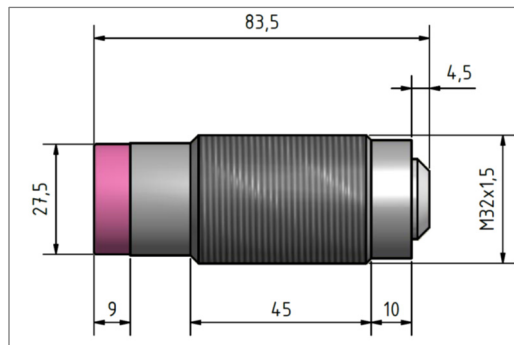
Technical data	IV991196	IN32E332
Operating voltage U_B	7 to 35V DC	3V DC, through amplifier IV991196
Nominal Switching distance (s_n)		13mm
Hysteresis		3% bis 20% from s_n
Nominal Switching distance (s_r)		$s_n \pm 20\%$
Ampacity	400mA	
Ambient temperature	-25 ... +70°C	0 ... +230°C
Protection class (EN60529)	Housing IP 40, Clamp IP 20	IP 67 with attached cable socket
Housing material	Plastic	Sleeve: VA Cap: Vectra
Design	22.5x75x110	Threaded device M32x1.5 Total length 83.5mm
Mounting	On DIN rail	
Connection	Clamp	Lemos connector
Matching cable socket		VKCOE333 (30m line length)
Adjustment factors		VA approx. 0.7 Ms, Al approx. 0.4 Cu approx. 0.3

Dimensional drawing:

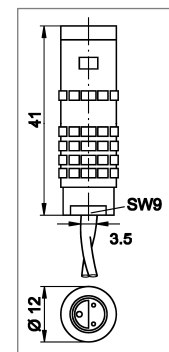
IV991196



IN32E332



VKCOE333



SAFETY INSTRUCTIONS:

Before commissioning, please make sure that all safety instructions listed in the product documentation, if applicable, have been observed!

In case of direct impact on personal safety, the use of these products is prohibited.