

VK003520

Connection technology • Cable sockets / connectors for self-assembly

Cable socket, Angular, Suitable for self-assembly, Screw connection, Ø4-8mm, 7.5A, 250V, -30-130°C, M12 Female (socket) 4pin, IP67, PA 6 (synthetic)



ipf cable sockets are used primarily for establishing the electrical connection of sensors. Their features are characterized by rugged design, the highest protection classes (IP67 | IP68 | IP69K) and, if desired, with 360° shielding. With the features: bus-ready, suitable for use with drag chains and robots, resistance to oil and chemicals, resistance to welding sparks, their resistance to cleaning agents or high-pressure and steam-jet cleaning, the expanded temperature range of up to +230°C, the rapid interconnection technology and special data transmission properties, the cable sockets meet all requirements in automation technology.

Electrical features

Type of plug-in contact, A connection	Female (socket)
Type of A electrical connection	M12
Type of B electrical connection	Screw connection
Operating voltage (AC 50Hz)	250V
Operating voltage (DC)	250V
Number of pins of A connection	4
Ampacity	7.5A

Mechanical features

Wire cross section	1,5mm ²
Cable infeed	angular
Cable infeed of A connection	angular
Coding of connection A	A
Degree of protection (IP)	IP67
Ambient temperature	-30 - 130°C
Contact coating material	Ni/Au
Housing material	PA 6 (synthetic)
Contact body material	Brass
Permitted cable diameter	4 - 8mm

Other features

Version	Cable socket
---------	--------------

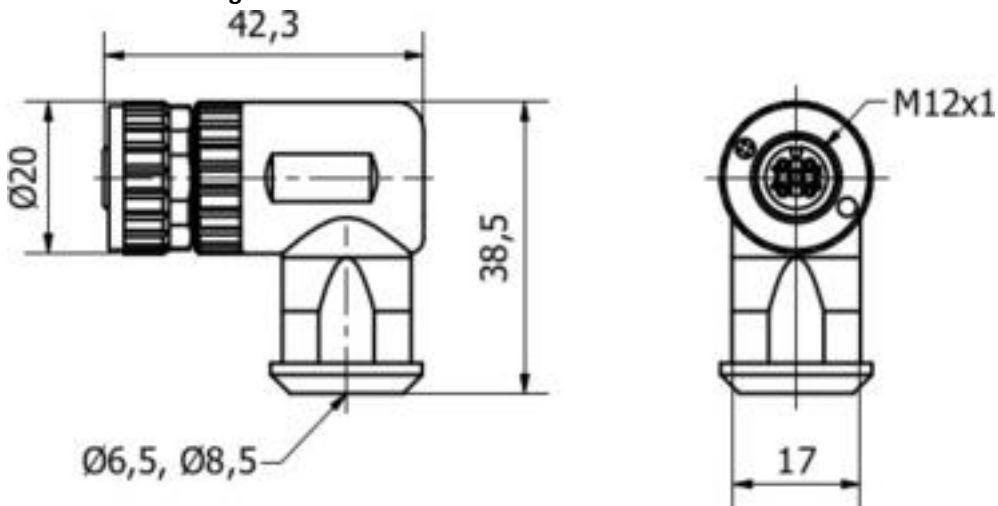
Classification

ETIM 8	EC001855 Assembled sensor-actuator cable
eClass 7.0	27279218
eClass 7.1	27279218
eClass 8.0	27279218
eClass 9.0	27060311
eClass 9.1	27060311

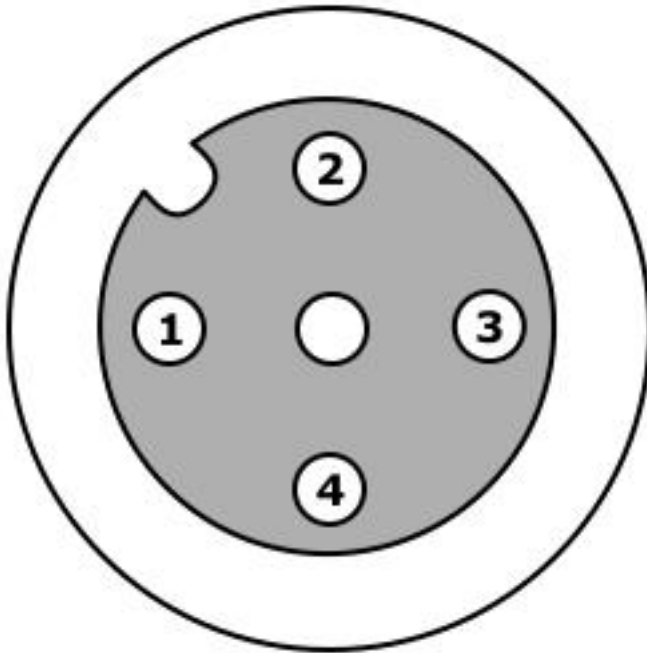
More

IPF Product Group	853 cable sockets / connectors (high temperature)
packaging dimensions	120 x 100 mm
gross weight	30 g
Customs tariff number	85369010
WEEE number	40951076

Dimensional drawing



Connection



Installation



Mounting / installation may only be carried out by a qualified electrician!

Disposal



Safety warnings

Before initial operation, please make sure to follow all safety instructions that may be provided in the product information.

Never use these devices in applications where the safety of a person depends on their functionality.