

## VR100111

### Coupling relays • Coupling relays

Cradle relay, 79x75x15mm, 1 Change-over contact, 16A, 24V DC, -40-70°C, Solder and plug-in connection, IP40, Plastic, Grid dimension 5mm, With LED display



Our multi-function time relays / pulse stretchers can be considered as real alternatives when it comes to solutions for minor set control technology problems. The input signals, for example, can be switch-on or off delayed after a preset time. In order to be able to reduce the storage, multi-function relays can be used that provide, in addition to the already mentioned functions, operating modes like time-programming, pulse-forming or clocking. Besides, there is also star / delta change-over for load-contactors integrated in the motor start control. Reversing the switching logic or the polarity is possible with our fast signal inverters / impulse stretchers. These are characterized by extremely short response times and high switching frequencies. As an input circuit for a PLC these devices are perfect to record short signal or level changes.

#### Electrical features

Decay time	15ms
Response/decay time	10ms
Number of switching outputs	1
Number of operating cycles	10000000
Display	LED-Anzeige
Operating range of the coil	DC: 0.75 - 1.5 nominal voltage
Type of switching function	Change-over contact (NO/NC)
Type of electrical connection	Solder and plug-in connection
Type of switching output	Relay contact
Rated switching current	16000mA
Operating voltage (DC)	24V
Nominal measuring voltage	6000V
Switching frequency	40Hz
Switching capacity	4000Stainless steel
Switching voltage	400V

**Mechanical features**

Design	Cuboid
Width	15.4mm
Height	78.6mm
Length	75mm
Mounting method	DIN rail (top hat rail) 35 mm
Grid dimension	5mm
Degree of protection (IP)	IP40
Ambient temperature	-40 - 70°C
Contact coating material	Cadmium-oxygen
Housing material	Plastic

**Other features**

Version	Cradle relay
---------	--------------

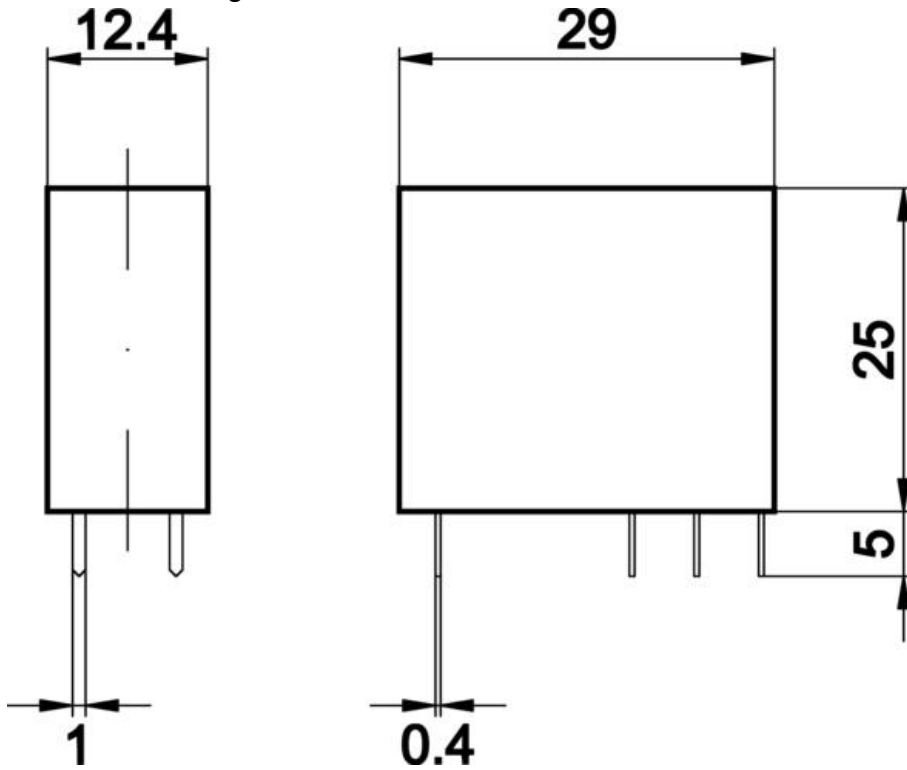
**Classification**

ETIM 8	EC000196 Contactor relay
eClass 7.0	27371001
eClass 7.1	27371001
eClass 8.0	27371001
eClass 9.0	27371001
eClass 9.1	27371001

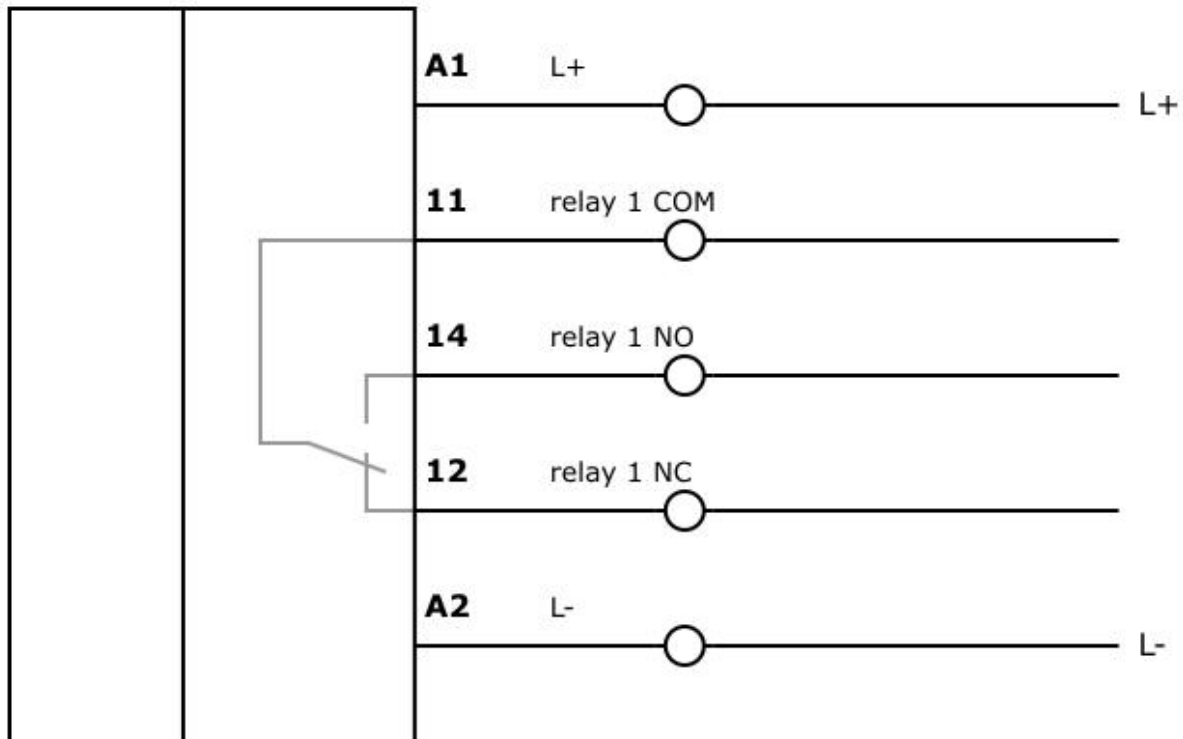
**More**

IPF Product Group	800 miscellaneous
packaging dimensions	120 x 100 x 15 mm
gross weight	18 g
Customs tariff number	85364190
WEEE number	40951076

**Dimensional drawing**



**Connection**



**Installation**



Mounting / installation may only be carried out by a qualified electrician!

**Disposal**



**Safety warnings**

Before initial operation, please make sure to follow all safety instructions that may be provided in the product information.

Never use these devices in applications where the safety of a person depends on their functionality.