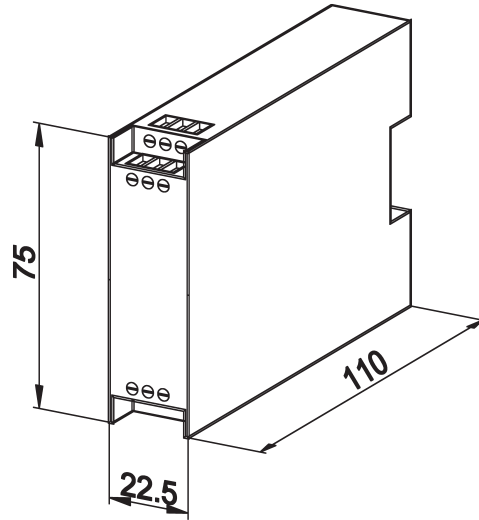


article-no.

ZM565453

version

multifunction time delay relay



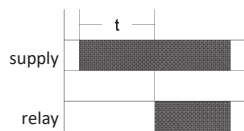
TECHNICAL DATA

function	multifunction time delay relay
output	relay output, 2 change-over contacts, inrush current 7A, continuous current 3A, cut-off current 2A
operating voltage	24V AC/DC ... 240V AC/DC
power consumption	1 ... 5VA
control signal at B2	10V AC/DC ... 300V AC/DC
contact life	for 0.5A approx. 2.5×10^7 operating cycles
relay release time	approx. 20ms
repeat accuracy	approx. ± 10 ms
temperature dependency	< 0.1%/Kelvin
recovery time	approx. 110ms
display	green LED, red LED
time adjustment	potentiometer: 0.1s ... 300min / analog / 8 time ranges
dimensions	22,5x75x110mm
housing	12-pin insulation material housing
housing material	polycarbonate
installation depth	approx. 133mm
operating temperature	-20°C ... +60°C, no condensation allowed
degree of protection (EN 60529)	housing IP40 / terminals IP20
connection (terminals)	safe to touch in accordance with VDE 0100 and VBG 4, max 4mm ²
mounting	35mm DIN rail (DIN EN 60715 TH35)

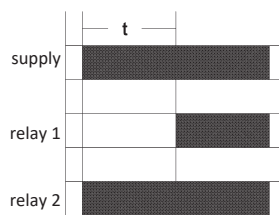
time function:	ON delayed	ON delay, instant (relay2)	ON passing make contact	OFF delayed	clocking, start with pulse	clocking, start with break	pulse forming	star/delta switchover
S1	OFF	ON	ON	OFF	OFF	ON	OFF	ON
S2	OFF	OFF	ON	ON	OFF	OFF	ON	ON
S3	OFF	OFF	OFF	OFF	ON	ON	ON	ON

time range:	0.1sec-1sec	0.5sec-10sec	5sec-60sec	30sec-120sec	1min-5min	3min-10min	5min-60min	30min-300min
S4	OFF	ON	OFF	ON	OFF	ON	OFF	ON
S5	OFF	OFF	ON	ON	OFF	OFF	ON	ON
S6	OFF	OFF	OFF	OFF	OFF	ON	ON	ON

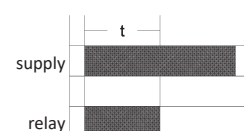
ON delay



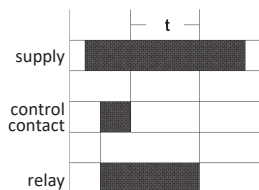
ON delay with instant contact



passing make contact

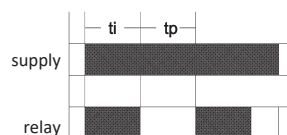


OFF delay



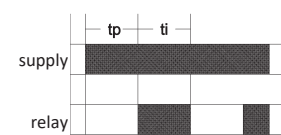
clocking, start with pulse

Impuls-Beginn



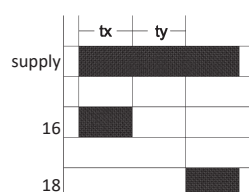
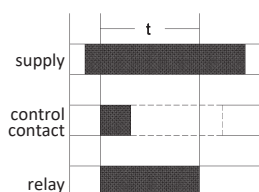
clocking, start with break

Pause-Beginn



Pulse forming

star / delta switchover

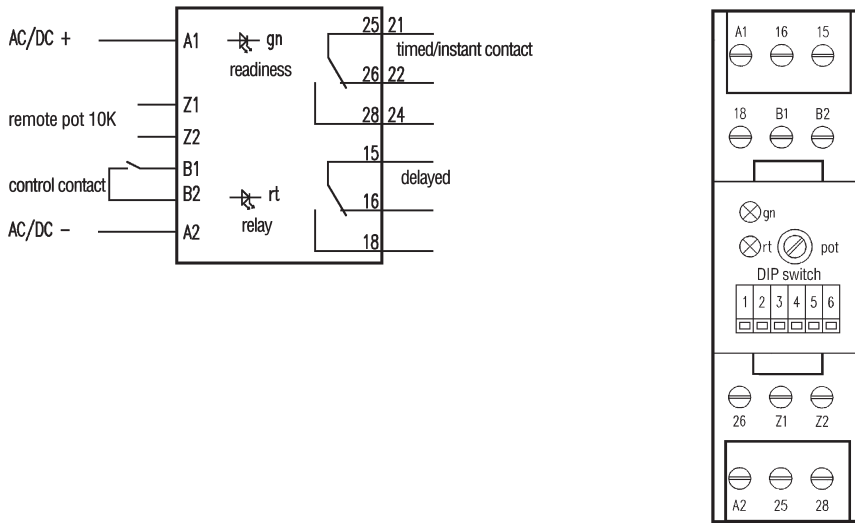


ty = 100msec fixed

Notes

- When operating with DC voltage, connect positive pole to terminal A1.
- Terminal B1 always has the same potential as terminal A1 (possibly mains voltage).
- Note the adjacent technical data.
- A remote potentiometer with metal axis must be earthed.
- Operation is only permitted with the plexiglass cover fitted.
- After installation, no manipulation with tools is allowed with the device switched on.

connection



accessories

AZ000004

AZ000005

AZ000006



article-no.	Description	Note
AZ000004	time delay relay, remote potentiometer 10kΩ, 10r and	soldered connection
AZ000005	time delay relay, remote potentiometer 10kΩ, 22.5r and	soldered connection
AZ000006	time delay relay, remote potentiometer 10kΩ, 22.5r and	screw connection

Warning: Never use these devices in applications where the safety of a person depends on their functionality.

This data sheet as well as your personal contact can be found at www.ipf-electronic.com

NOTES



NOTES

A large grid area for taking notes, consisting of a 20x30 grid of small squares. The grid is empty and occupies the majority of the page.