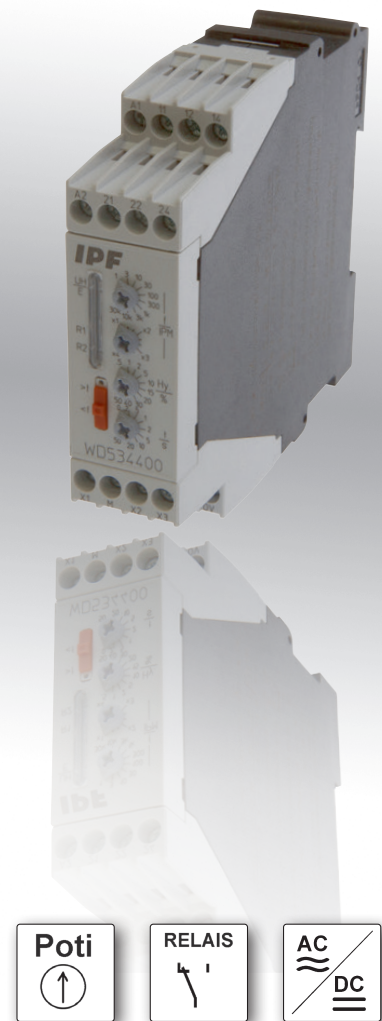


dimensions **22.5 x 90 x 97mm**

 1 ... 120,000 pulses/minute

- ✓ **recognition of overspeed or underspeed/ standstill (function switchable)**
- ✓ **adjustable hysteresis 0.5 ... 50%**
- ✓ **adjustable start-up bypass time 0 ... 50s**
- ✓ **status LED für auxiliary voltage, measuring input and output relay**
- ✓ **2 change-over contacts, closes current principle (relay drops out in case of alarm)**
- ✓ **universal input, for various sensors configurable**
- ✓ **responsive even with with lower rotation speeds**

AC and DC voltage supply



description

The monitoring of rotation speeds or rotating movements is required in many applications to ensure the proper operation of a system. This device monitors the pulses of a sensor (e.g., inductive, capacitive, or optical) that can be connected directly to the monitor. Maximum 20mA are available.

The sensor input is monitored using a 2-color LED (green / yellow). After applying the operating voltage and the start-up delay (0 ... 50s), the incoming pulses are compared with the set reference speed. For this purpose, 10 measuring ranges can be selected, each of which can be finely adjusted by means of a potentiometer.

For further evaluation in a higher-level control, the results are output via the two relay contacts (over / under speed) according to the settings made.

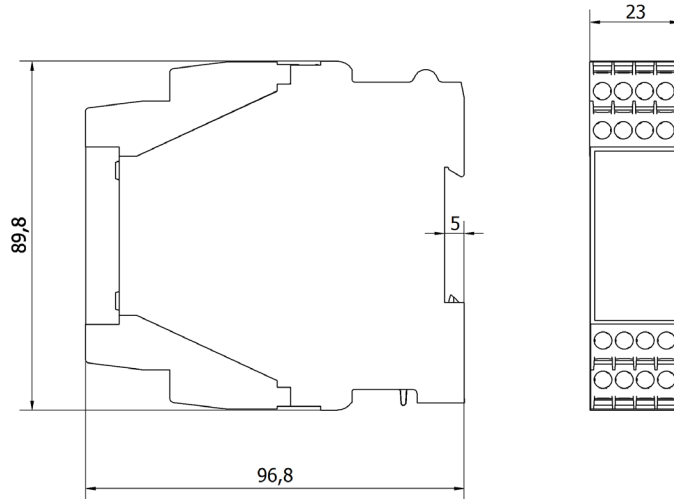
Further information can be found in the instruction manual enclosed with each device.

application examples

- ▶ Monitoring of a minimum rotation speed
- ▶ Monitoring of a maximum rotation speed
- ▶ Report of a standstill
- ▶ Motion signal for transport chains with a pulse wheel

article no.
version

WD534400
rotation speed and zero speed monitoring



TECHNICAL DATA

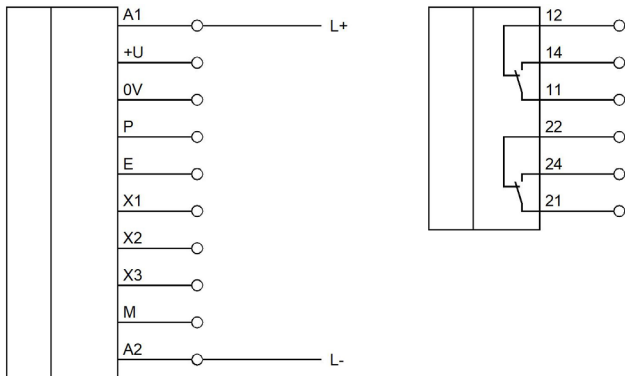
ELECTRICAL DATA

measuring range rotation speed	1 - 120.000/min
input voltage at AC 50 Hz	184 ... 253V
input voltage at DC	20.4 ... 28.8V
current consumption	4VA
power-on delay time	400ms
encoder supply voltage	24V DC
encoder supply current	20mA
min. pulse length	0.02ms
start-up bypass time	1 ... 50s
switching output	relay contact
switching function	change-over contact
number of outputs	2
switching voltage	230V
switching current	3A
with status LED	yes
with display	neo
adjustment	parameterization
connection	screw connection

MECHANICAL DATA

dimensions	22.5 x 90 x 97mm
housing material	plastic
degree of protection (IP)	IP20
mounting	top hat rail 35mm
ambient temperature	-20 ... 60°C

connection



colors:

A: 1= BN (brown), 2= WH (white), 3= BU (blue), 4= BK (black)

B: 1= BN (brown), 2= WH (white), 3= BU (blue), 4= BK (black)

functions:

A: 1= L+, 2= PNP NO, 3= L-, 4= PNP NO

B: 1= L+, 2= PNP NC, 3= L-, 4= PNP NC

NOTES

A large grid area for taking notes, consisting of a 20x30 grid of small squares. The grid is empty and occupies the majority of the page.