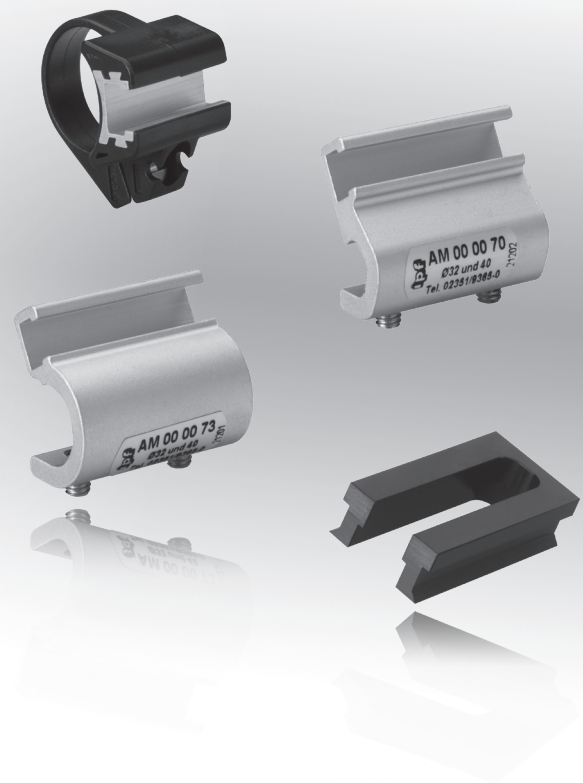


dimensions \varnothing 8 to \varnothing 63mm
 \varnothing 32 to \varnothing 40mm
 \varnothing 50 to \varnothing 63mm
 \varnothing 80 to \varnothing 100mm

round cylinders
 Dovetailed cylinders
 pull-rod cylinders
 profile cylinders

- ✓ robust metal housing
- ✓ high locking power
- ✓ fast mounting



**for mounting MZ07
 on all common cylinders**

description

For many tasks in automation technology, it is necessary to detect movements in pneumatic cylinders and to precisely detect the position of the piston. The magnetic cylinder sensors are used for position detection of the piston position in pneumatic cylinders. Through the absolute wear-free mode of operation, they ensure maximum operational dependability and reliability. For this purpose, *ipf electronic gmbh* offers various mounting options for magnetic cylinder sensors on all cylinders from leading manufacturers.

The **MZ07** sensors are mounted on round cylinders using mounting clips **AM000036** to **AM000046**.

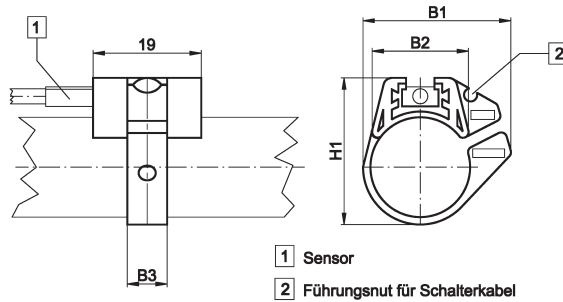
Moreover, it is also possible to fasten the sensors to dovetailed cylinders with the aid of clamp **AM000036**, to pull-rod cylinders with the aid of clamps **AM000070** to **AM000072** and to profile cylinders with the aid of clamps **AM000073** to **AM000075**.

application examples

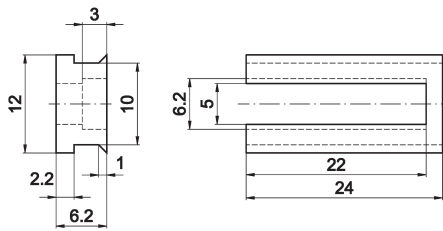
- ▶ position detection of a cylinder piston
- ▶ end position sensing

article-no.	AM000037	AM000038	AM000039	AM000040	AM000041
piston diameter round cylinders	∅ 8mm	∅ 10mm	∅ 12mm	∅ 16mm	∅ 20mm
B1	18.9	20.4	22.7	26.1	33.2
B2	9	11	13	17.1	20.8
B3	7	7	7	7	9
H1	18.3	19.9	21.9	25.7	30.4
housing material	plastic	plastic	plastic	plastic	plastic

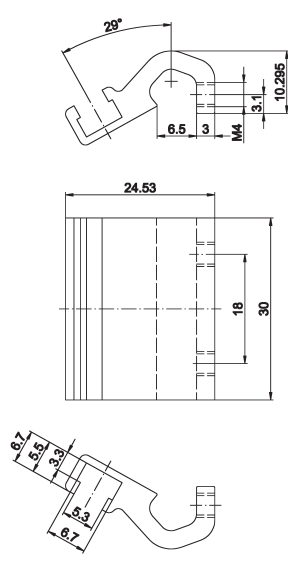
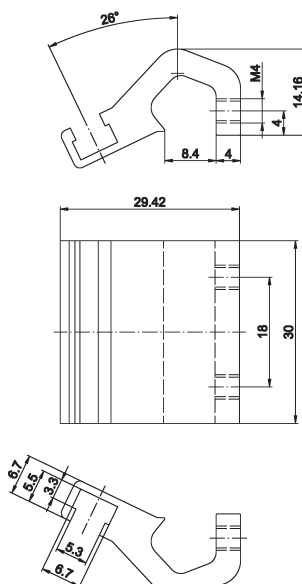
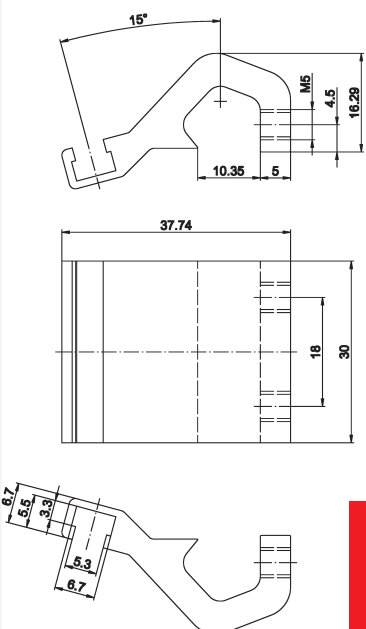
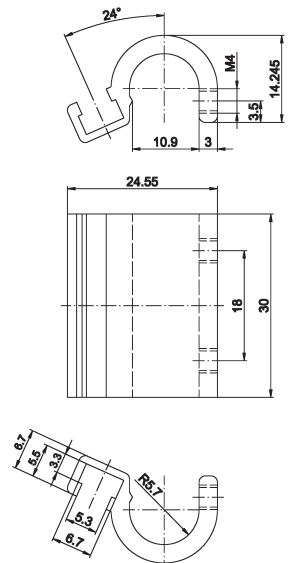
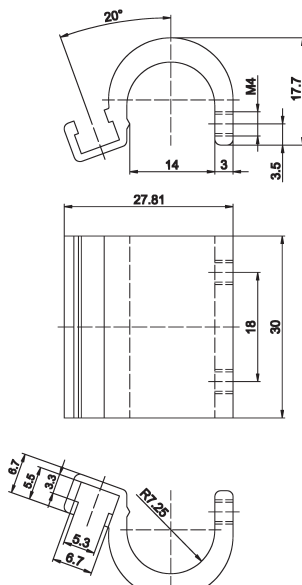
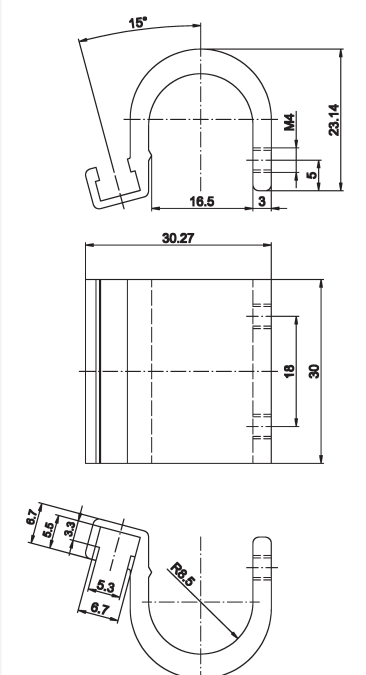
article-no.	AM000042	AM000043	AM000044	AM000045	AM000046
piston diameter round cylinders	∅ 25mm	∅ 32mm	∅ 40mm	∅ 50mm	∅ 63mm
B1	36.5	41.7	48.3	60.6	74.5
B2	26.1	33.4	41.4	52.1	64.2
B3	9	9	9	9	9
H1	35.6	42.7	50.7	61.5	74.5
housing material	plastic	plastic	plastic	plastic	plastic



article-no.	AM000036
width dovetailed tenon	12mm
housing material	aluminum

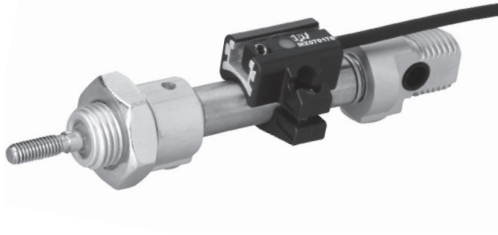


Note: This adapter is not suitable for sensors that can be installed in the groove from above!

<p>article-no.</p>	<p>AM000070</p>	<p>AM000071</p>	<p>AM000072</p>
<p>piston diameter</p>	<p>Ø 32 ... 40mm</p>	<p>Ø 50 ... 63mm</p>	<p>Ø 80 ... 100mm</p>
<p>pull-rod cylinders</p>			
<p>housing material</p>	<p>aluminum</p>	<p>aluminum</p>	<p>aluminum</p>
			
<p>article-no.</p>	<p>AM000073</p>	<p>AM000074</p>	<p>AM000075</p>
<p>piston diameter</p>	<p>Ø 32 ... 40mm</p>	<p>Ø 50 ... 63mm</p>	<p>Ø 80 ... 100mm</p>
<p>profile cylinders</p>			
<p>housing material</p>	<p>aluminum</p>	<p>aluminum</p>	<p>aluminum</p>
			

mounting example

round cylinder



dovetailed cylinder



pull-rod cylinder



profile cylinder



carrying case set



The **AM000089** carrying case set includes the same accessories as the **AM000090**, only with magnetic cylinder sensors **MZ070173** and **MZ070176**.

AM000090

article-no.	description
AM000036	adapter for MZ07 to dovetail
AM000037	for cylinder Ø 8
AM000038	for cylinder Ø 10
AM000039	for cylinder Ø 12
AM000040	for cylinder Ø 16
AM000041	for cylinder Ø 20
AM000042	for cylinder Ø 25
AM000043	for cylinder Ø 32
AM000044	for cylinder Ø 40
AM000045	for cylinder Ø 50
AM000046	for cylinder Ø 63
AM000070	for pull-rod cylinder Ø 32 and 40
AM000071	for pull-rod cylinder Ø 50 and 63
AM000072	for pull-rod cylinder Ø 80 and 100
AM000073	for profile cylinder Ø 32 and 40
AM000074	for profile cylinder Ø 50 and 63
AM000075	for profile cylinder Ø 80 and 100
VK003574	straight, displacement connections, 3-pin
MZ070174	10-30V DC, 200mA
MZ070175	10-30V DC, 200mA

Warning: Never use these devices in applications where the safety of a person depends on their functionality.

This data sheet as well as your personal contact can be found at www.ipf-electronic.com