

floor mounting  
protective housing  
deflection mirror  
mounting bracket  
test bars  
laser pointer



**for safety light curtains OY32 / OY36  
simple mounting and adjustment**

**description**

The accessories program for the safety light curtains of the **OY32/OY36** series offers an extensive selection of components for the installation and use of safety equipment on systems and machines.

The deflection mirrors, with which multiple sides of a machine can be safeguarded, are available in various heights, from 150 to 1845mm.

New in the product line are the protective housings, which facilitate installation of the light curtains in areas where degree of protection IP69k is required.

Sturdy protective housings and floor mounts offer protection against impacts and simplify alignment.

A laser pointer is a valuable aid during alignment and installation of the safety light curtains of the **OY32/OY36** series,

especially with applications that call for large operating ranges and the use of deflection mirrors. To check the complete alignment of transmitter and receiver rail, the laser pointer can be moved along the light curtain profile.

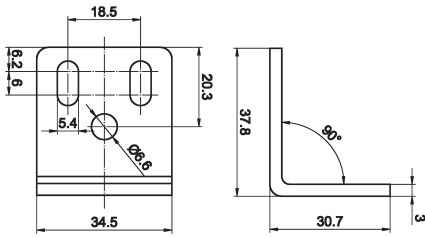
The shielded cable sockets are available in versions „straight“ and „angular“.

Adjustable or vibration-reducing holders, mounting brackets and test bars complete the range of products.

**application areas**

- ▶ accessories program for safety light curtains
- ▶ mounting, protection, connection, testing and alignment

mounting bracket AO000106 (included in the scope of delivery of light curtains)



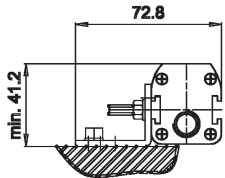
article-no.

description

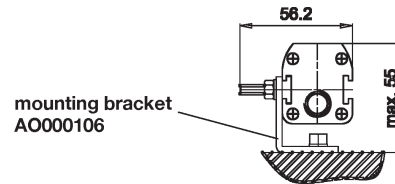
article-no.	description
AO000106	4-part kit - mounting bracket and fastener for OY32/OY36-groove (groove plate 2x M5 threaded rod)
AO000107	vibration-reducing holders (4-part kit)
AO000108	vibration-reducing holders (6-part kit)
AO000109	adjustable holders (4-part kit)
AO000110	adjustable holders (6-part kit)

mounting option „A“

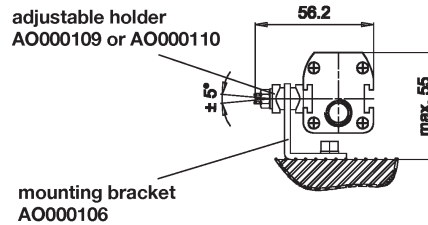
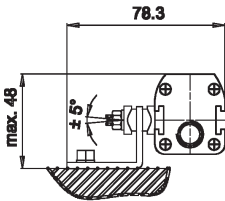
mounting bracket



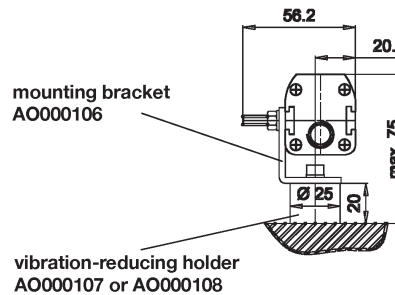
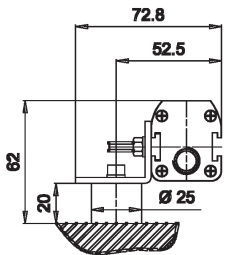
mounting option „B“



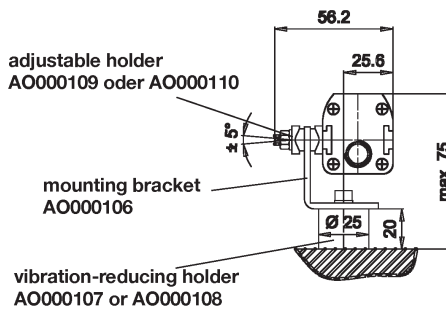
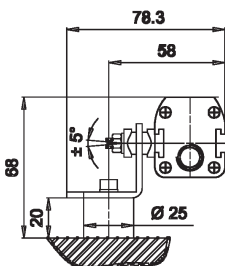
mounting bracket + adjustable holder



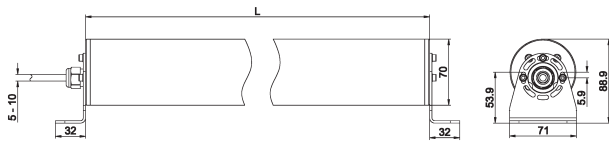
mounting bracket + vibration-reducing holder



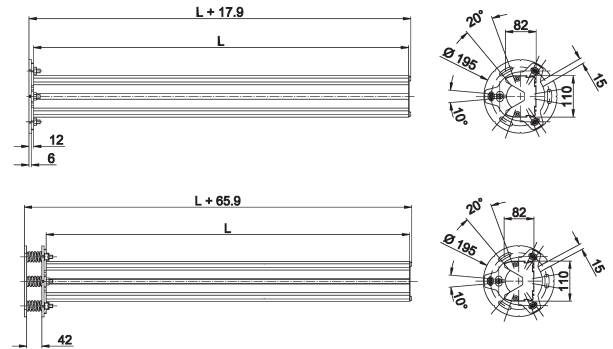
mounting bracket + adjustable holder + vibration-reducing holder



**protective housing IP69k**



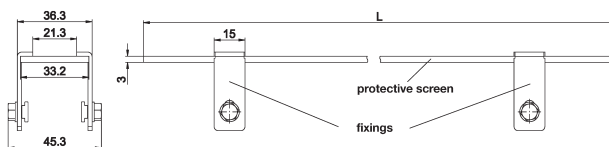
**floormounting**



article-no.	L	for safety light curtain
AO000201	374mm	OY3201x0
AO000202	521mm	OY3201x1
AO000203	671mm	OY3201x2
AO000204	821mm	OY3201x3
AO000205	971mm	OY3201x4
AO000206	1121mm	OY3201x5
AO000207	1271mm	OY3201x6
AO000208	1421mm	OY3201x7
AO000209	1571mm	OY3201x8
AO000210	1721mm	OY3201x9
AO000211	1871mm	OY3201xA
AO000212	2021mm	OY3201xC

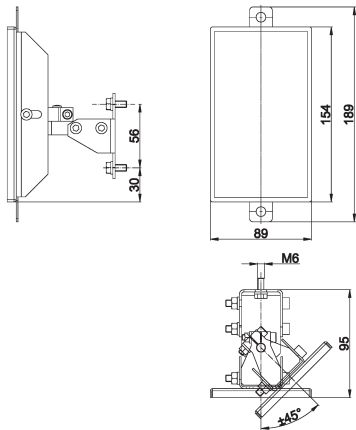
article-no.	L	description
AO000213	600mm	
AO000214	1000mm	
AO000215	1200mm	
AO000216	1650mm	
AO000217	1900mm	
AO000218		mounting kit - double plate with compensating springs
AO000244		mounting kit with 4 brackets for deflection mirrors
AO000246		mounting kit with 4 brackets for light curtains
AO000248		mounting kit with 6 brackets for light curtains

**protective screen**

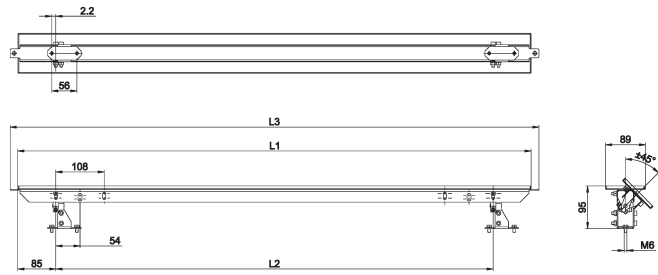


article-no.	L	for safety light curtains
AO000220	245mm	OY3201x0
AO000221	392mm	OY3201x1
AO000222	540mm	OY3201x2
AO000223	686mm	OY3201x3
AO000224	832mm	OY3201x4
AO000225	960mm	OY3201x5
AO000226	1126mm	OY3201x6
AO000227	1274mm	OY3201x7
AO000228	1422mm	OY3201x8
AO000229	1568mm	OY3201x9
AO000230	1715mm	OY3201xA
AO000231	1860mm	OY3201xC
AO000232	642mm	OY360110
AO000233	942mm	OY360111
AO000234	1042mm	OY360112
AO000235	1342mm	OY360113

### deflection mirror



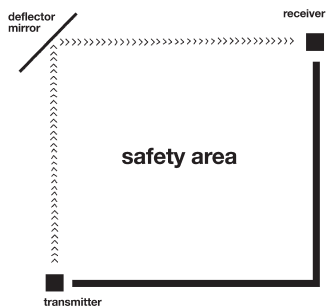
### deflectionmirror



article-no.	comment	height
AO000236	deflection mirror	150mm

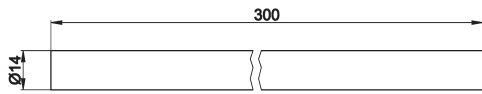
article-no.	comment	L1	L2	L3
AO000237	deflection mirror	545	376	580
AO000238	deflection mirror	845	676	880
AO000239	deflection mirror	1145	976	1180
AO000240	deflection mirror	1595	1426	1630
AO000241	deflection mirror	1845	1676	1880

### example layout beam deflection

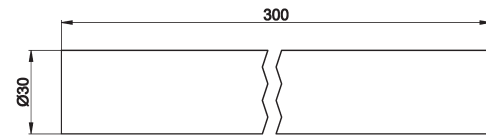


**test bar** hand and finger protection ( included in the scope of delivery)

**AO000138**



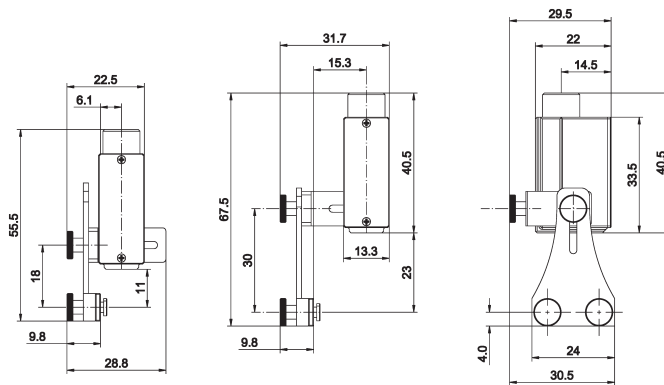
**AO000139**



article-no.	description
AO000138	test bar length 300mm Ø14mm for finger protection safety light curtains

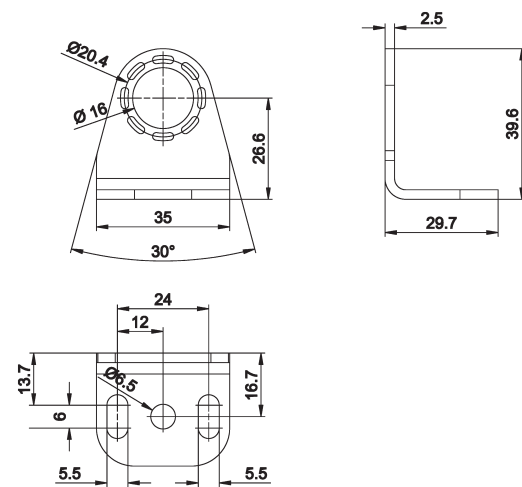
article-no.	description	material
AO000139	test bar length 300mm Ø30mm for hand protection safety light curtains	plastic

**laser pointer**

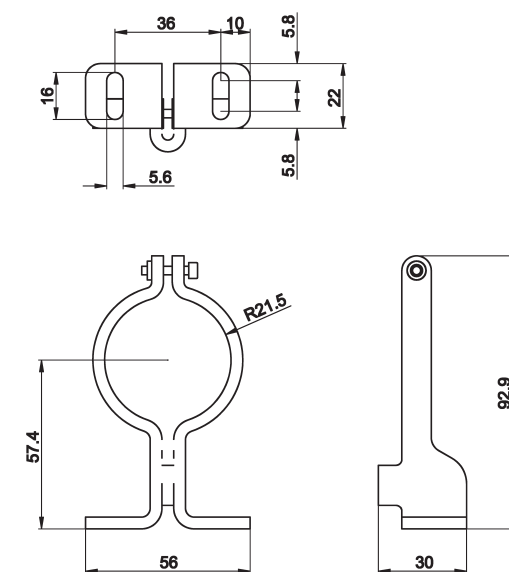


article-no.	description
AO000219	alignment aid for safety light curtains OY32/OY36

**mounting bracket for OY32**



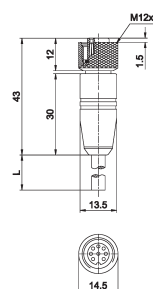
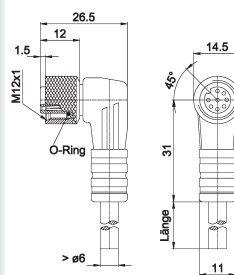
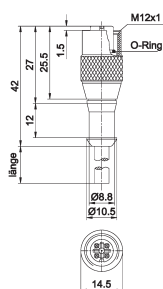
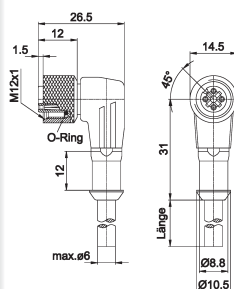
**mounting bracket for OY36**



article-no.	comment	material
AO000243	for OY32 4-part kit	galvanized steel

article-no.	comment	material
AO000249	for OY36 4-part kit	galvanized steel

version	M12 cable socket angular, 4-pin for transmitter unit	M12 cable socket straight, 4-pin for transmitter unit	M12 cable socket angular, 8-pin for receiver unit	M12 cable socket straight, 8-pin for receiver unit
article-no.	VK205321	VK205325	VK205A21	VK205A25
length	2m	2m	2m	2m
article-no.	VK505321	VK505325	VK505A21	VK505A25
length	5m	5m	5m	5m
article-no.	VKA05321	VKA05325	VKA05A21	VKA05A25
length	10m	10m	10m	10m



### TECHNICAL DATA

voltage (U <sub>N</sub> )	240V DC / AC <sub>eff</sub>	240V DC / AC <sub>eff</sub>	30V DC / AC <sub>eff</sub>	30V DC / AC <sub>eff</sub>
number of pins	4-pin	4-pin	8-pin	8-pin
wire cross section	0.34 mm <sup>2</sup>	0.34 mm <sup>2</sup>	0.25 mm <sup>2</sup>	0.25 mm <sup>2</sup>
material (outer jacket)	PUR	PUR	PUR	PUR
operating temperature	-25 ... +80°C	-25 ... +80°C	-25 ... +80°C	-25 ... +80°C
degree of protection (EN 60529)	IP67	IP67	IP67	IP67
contact number/wire color	1/brown 2/white 3/blue 4/black	1/brown 2/white 3/blue 4/black	1/white 2/brown 3/green 4/yellow 5/grey 6/pink 7/blue 8/red	1/white 2/brown 3/green 4/yellow 5/grey 6/pink 7/blue 8/red