

dimensions 55 x 75 x 110mm

power output stage output voltage 24V DC

- ✓ plastic housing according to DIN 46199
- ✓ high-quality parts for long service life
- ✓ construction designed for operational reliability
- ✓ voltage supply and switching amplifier
- ✓ safety isolating transformers according to DIN 0551
- ✓ input fuse
- ✓ low residual ripple
- ✓ switching state display by LED for output relay



**stabilized power supply unit
2 x switching relays**

description

The mains voltage (230V AC) is transformed to the desired DC voltage value, rectified, filtered and stabilized by means of a voltage regulator.

The stabilized output voltage is available at the designated terminals as supply voltage, e.g. for sensors.

The switching signal of a connected sensor actuates the corresponding output relay on the NT550002 power supply unit. The switching state of the relay is indicated by a yellow LED.

PNP and NPN sensors can be connected by attaching a wire jumper at the appropriate position.

Stabilized power supplies with transformer and relay are used for supplying power to sensors and as contact pro-

tection relays.

The power supplies are screw-mounted e.g. in switching cabinets (fixing dimensions 37.5x60 according to DIN 46121).

They can also be mounted together with contactors, time delay relays, etc.

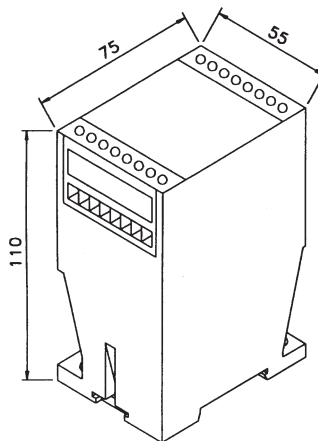
on a 35mm DIN-rail to DIN EN 60715 TH35.

The connection terminals are designed for wires up to 2.5mm² according to DIN 46199.

application

- ▶ DC voltage supplies from power grid

article-no.	NT550002
output voltage	24V DC
output current (I nom)	200mA



TECHNICAL DATA

output voltage	24V DC
output current (I nom)	200mA
relay output	2 x relays / 2 x 3A
input voltage	230V AC
input current (I nom)	0.05A
display (operation)	green LED
display (signal)	2 x yellow LED
dimensions	55x75x110mm
housing material	plastic
operating temperature	0 ... +50°C
degree of protection (EN 60529)	IP 20
connection	terminals
mounting	35mm DIN-rail

connection NT550002



terminal 1:	0V DC
terminal 2:	signal 1
terminal 3:	+ 24V DC
terminal 4:	signal 2
terminal 5, 6:	jumper for PNP
terminal 7, 8:	jumper for NPN
terminal 9, 10, 11:	relay 1
terminal 12, 13, 14:	relay 2
terminal 15, 16:	230V AC grid

Warning: Never use these devices in applications where the safety of a person depends on their functionality.

This data sheet only contains the available standard variants. For other output / connection variants, we kindly ask that you contact us.

We are happy to supply the right cable socket for the plug equipment. You will find a list in the "accessories" section of the catalog under **ipf-SENSORFLEX®** "cable sockets" or in the search window on our homepage www.ipf-electronic.com (using the search term "VK").

Warning: Never use these devices in applications where the safety of a person depends on their functionality.

You also find this data sheet, as well as contact details under www.ipf-electronic.com