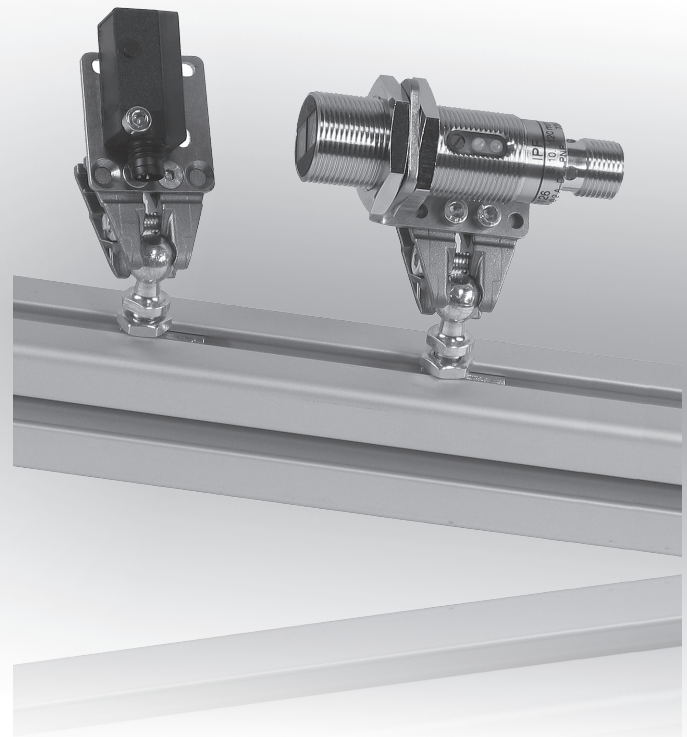


design	33.8 x 12 x 16mm to 40 x 57 x 18mm	
mounting accessories	threaded sensors	M8x1 M12x1 M18x1
	cubeoid sensors	Ox14, Px14 UT14 Ix21, Ux21 Ox16, Px16 Ox17, Px17 Ox43, Px43 Px49

- ✓ mountable on panels, profiles and plates with one single screw
- ✓ more leeway enables simple adjustment of the sensors
- ✓ mounting on a rod Ø8mm possible
- ✓ different mounting variants
- ✓ higher operational dependability thanks to better and more precise alignment

**universal mounting  
mounting with one screw**



**description**

The special production of elaborate and costly appropriate sensor holders can be dispensed with through the use of the *ipf* universal holders.

The multi-function base module supplied with a ball joint enables sensors to be mounted quickly and in a way which makes them immovable in any position and orientation.

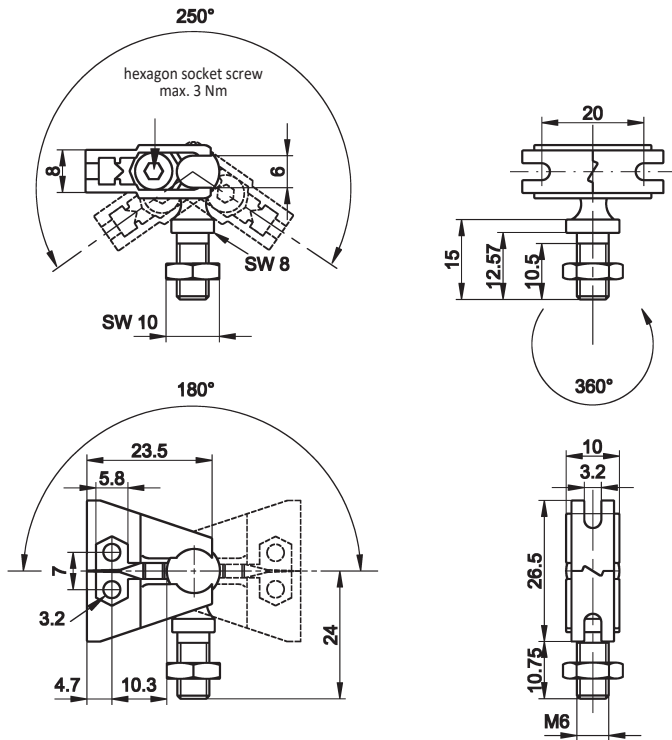
For this, only the appropriate fastening-parts kit is needed. This

contains the base module with the necessary fitting panel and mounting material.

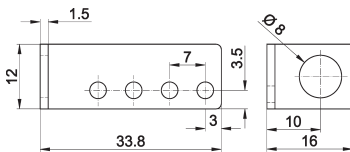
**application examples**

- ▶ sensor mounting on panels, rods or profiles
- ▶ adjustment and alignment of sensors

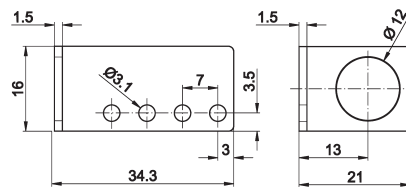
base module AY000088



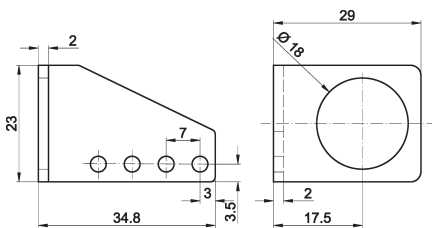
AY000089



AY000090



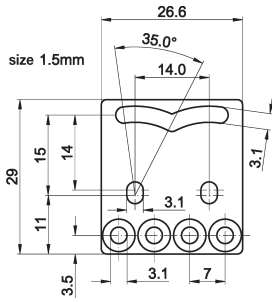
AY000091



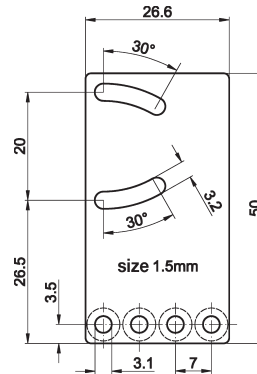
ARTICLE-NO.	DESCRIPTION	MATERIAL
AY000088	base module *	flanges: stainless steel, ball pin: steel zinced
AY000089	fastening-parts kit for sensors M8x1	stainless steel
AY000090	fastening-parts kit for sensors M12x1	stainless steel
AY000091	fastening-parts kit for sensors M18x1	stainless steel

\* The base module **AY000088** is included in every fastening-parts kit.  
Material of the screws and nuts: steel, zinc-plated

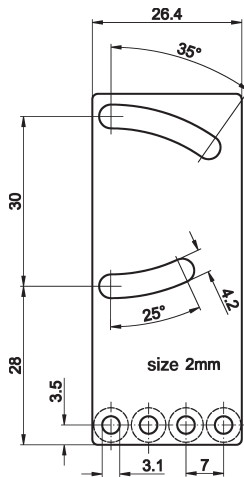
**AY000092**



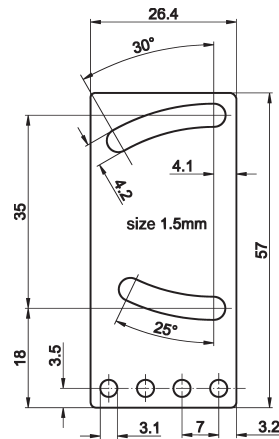
**AY000093**



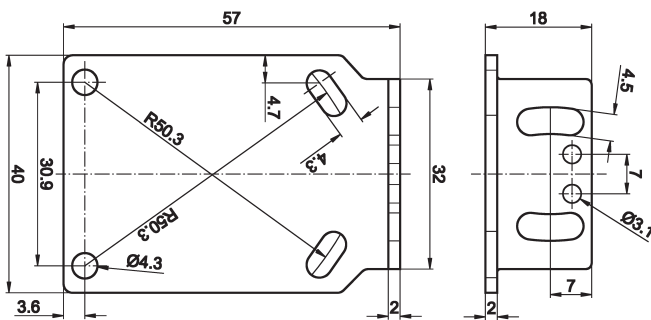
**AY000094**



**AY000095**



**AY000096**



**ARTICLE-NO.**

**DESCRIPTION**

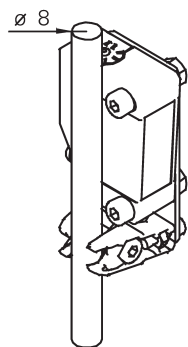
**MATERIAL**

<b>AY000092</b>	fastening-parts kit for sensors Ox14..., Px14..., Ux14..., lx21..., Ux21...	stainless steel
<b>AY000093</b>	fastening-parts kit for sensors Ox16..., Px16...	stainless steel
<b>AY000094</b>	fastening-parts kit for sensors Ox17..., Px17...	stainless steel
<b>AY000095</b>	fastening-parts kit for sensors Ox43..., Px43...	stainless steel
<b>AY000096</b>	fastening-parts kit for sensors Px49...	stainless steel

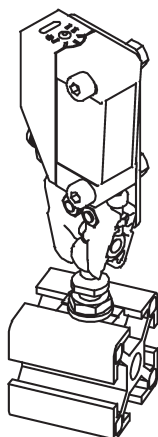
\* The base module **AY000088** is included in every fastening-parts kit.  
Material of the screws and nuts: steel zincd

mounting options

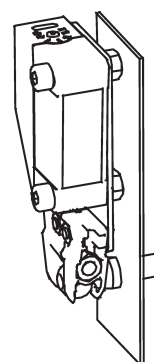
rod



profile

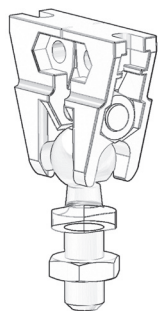


panel



**AY000088**

3D-view



selection chart of the fastening-parts kits for sensors with thread

	AY000089	AY000090	AY000091
sensors	M8x1	M12x1	M18x1

selection chart of the fastening-parts kits for cuboid sensors

	AY000092					AY000093		AY000094		AY000095		AY000096
sensors	OS14	PS14	UT14	IB21	UR21	OS16	PR16	OS17	PR17	OR43	PR43	PT49
	OE14	PE14		IN21	UT21	OE16	PT16	OE17	PT17	OT43	PT43	
	OR14	PT14				OR16		OR17	PK17		PK43	
	OT14	PK14				OT16		OT17				

The base module **AY000088** is included in every fastening-parts kit.