

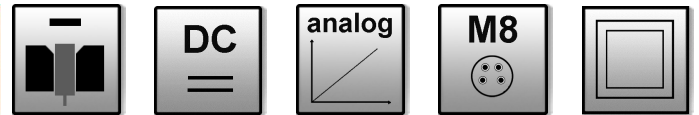
IB21A795

inductive sensors

- / adjustment via teach-in
- / PNP-switching output
- / short-circuit and reverse polarity protected
- / M8-connector



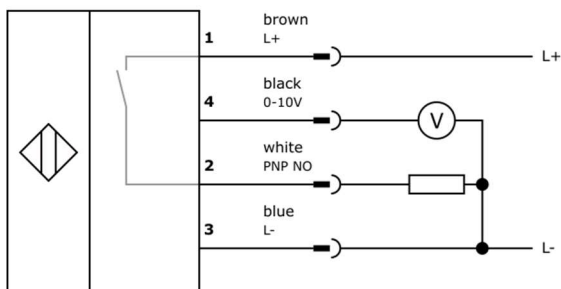
analog output 0 ... 10V
linear output signal



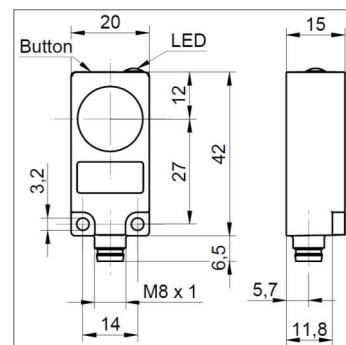
TECHNICAL DATA

measuring range	0 ... 10mm
mounting	semi-flush
resolution	< 0.01mm
repeat accuracy	< 0.015mm
linearity deviation	± 50µm
temperature drift	± 5% full scale
operating voltage U_B	15 ... 30V DC
current consumption max.	30mA
analog output	0 ... 10V
Load resistance	> 1,000Ω
response time (factory characteristic)	< 2.5ms
response time (teach-in characteristic)	< 3.1ms
switching output	PNP, NO
output current (max. load)	< 10mA
voltage drop	< 5V DC
protection class (EN 60529)	IP 67
ambient temperature	-10 ... +70°C
dimensions	20 x 42 x 15mm
material (housing)	Polyester
electrical connection	M8-connector, 4-pin
connection accessories	e.g. VK205375
mounting accessories (universal holder)	AY000116

Connection



dimensions



Remark: The sensor is suited for a controlled electromagnetic environment according to EN 61326-1, table 3.

Warning: never use these articles in applications where the safety of a person depends on their functionality.