

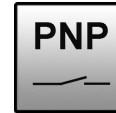
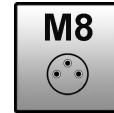
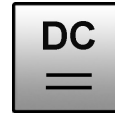
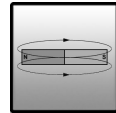
MZ072187

magnetic sensor
pneumatic cylinder-switch



- / robust plastic housing
- / status display by LED
- / short circuit and reverse polarity protection

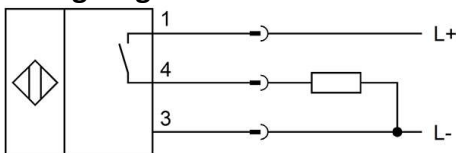
for T-groove cylinders
mountable from the top



TECHNICAL DATA

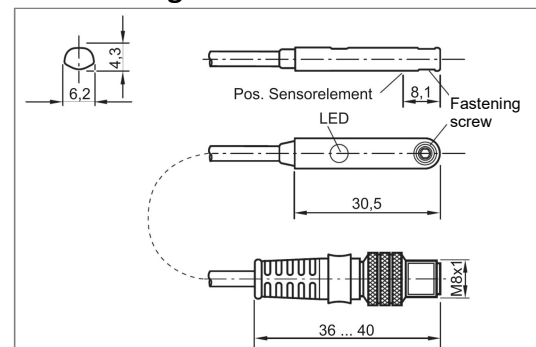
sensing area	longitudinal margin
output	PNP, no
operating voltage	10 ... 30V DC
ripple	≤ 10%
current consumption (without load)	≤ 10mA
output current (max. load)	100mA
voltage drop (max. load)	≤ 2,0V DC
hysteresis	typ. 1.5mm
reproducibility	typ. 0.1mm (constant voltage and temperature)
response sensitivity	≤ 2.8mT
switching frequency	≤ 5kHz
status display	LED gelb
short circuit protection	+
reverse polarity protection	+
housing material	plastic
dimensions	6.2 x 4.3 x 30.5mm
ambient temperature	-20 ... +75°C
system of protection (EN 60529)	IP 67
electrical connection	0.5m M8-cable connector 3pin, PUR
suitable cable socket	e.g. VK200075

wiring diagram



colors: 1 = BN (brown), 3 = BU (blue), 4 = BK (black)
functions: 1 = L+, 3 = L-, 4 = PNP NO

dim.drawing



SAFETY WARNINGS:

Before initial operation, please make sure to follow all safety instructions that may be provided in the product information!
Never use these articles in applications where the safety of a person depends on their functionality.