

Measuring transducer for alternating current With integrated current transformer

- / Measuring input for sinusoidal alternating current
- / Suitable for round conductors and power rails
- / Integrated current transformer
- / Reduced wiring effort
- / DIN rail mounting



Measuring transformer for alternating current Analog output 0-10V/0-20mA

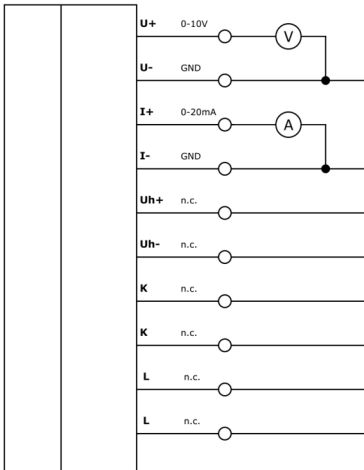
TECHNICAL DATA

Measuring ranges	see article list
Rated frequency	50/60Hz
Own consumption	≥ 2,5VA
Overload capacity	1.5 x I _n permanent; 8 x I _n 40s
Operating range	15 ... 120 I _n
Measurement output	0-10V / 0-20mA
Load resistance	≥ 10 k Ω / ≤ 500Ω
Temperature range	-5° ... + 40°C
Accuracy	Class 0.5
Protection class	Housing IP 40, connection terminals IP 20
Pollution guard	2
Mounting	Mounting base for direct mounting included in scope of delivery
Suitable for	Round conductor and busbar mounting

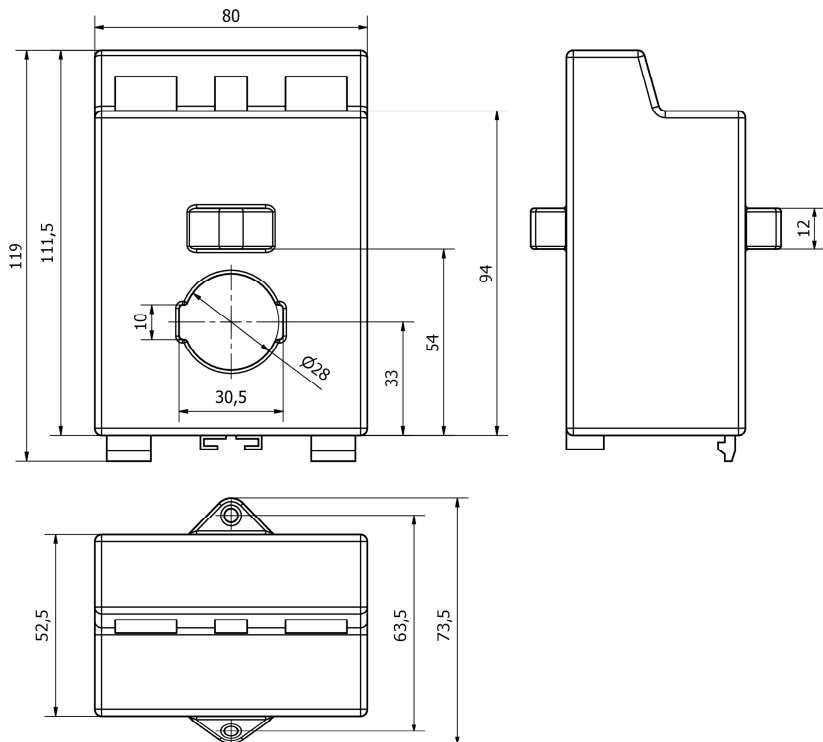
Measuring range

	Primary current	Measuring range
NZ805010	50A	7,5 - 60A
NZ807510	75A	11.25 - 90A
NZ80K010	100A	15 - 120A
NZ80KE10	150A	22.5 - 180A
NZ80L010	200A	30 - 240A
NZ80N010	400A	60 - 480A
NZ80P010	600A	90 - 720A

Electrical connection



Dimensions



SAFETY INSTRUCTIONS:

Before start-up, please make sure that all safety instructions in the product documentation, if applicable, have been observed!

In case of direct impact on personal safety, the application of these products is prohibited.