

VY000007

LED brightness module

- / Robust plastic housing**
- / Setting via 270° potentiometer**
- / M12-connector**



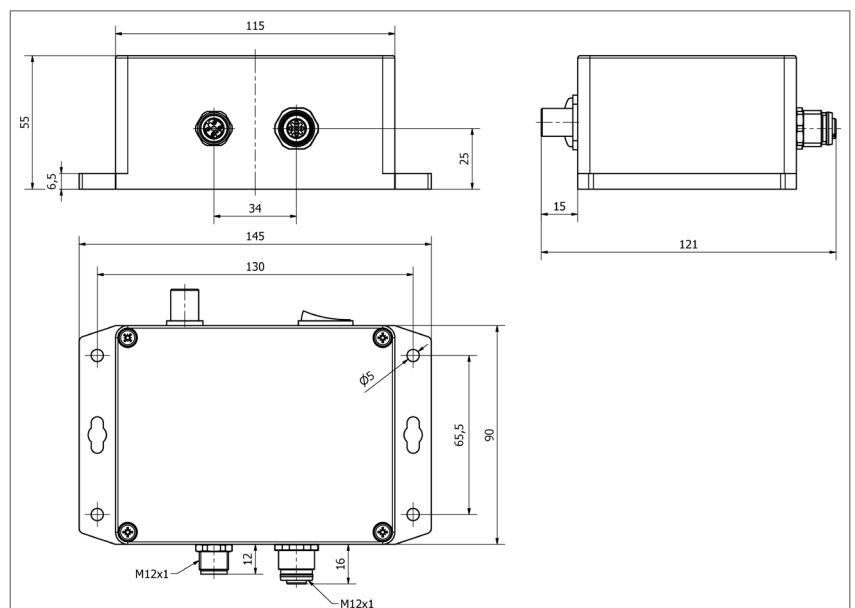
24V DC, max. 4A



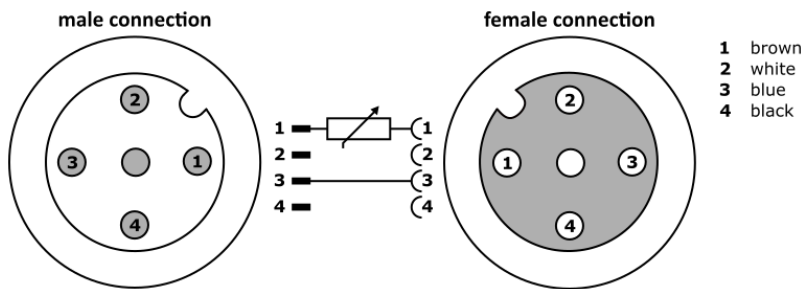
TECHNICAL DATA

Operating voltage	24V DC
Residual ripple	≤ 10%
Stromaufnahme	≤ 10mA
Setting	Potentiometer 270°
Display	-
Short-circuit proof	-
Reverse polarity protected	+
Dimensions	121 x 145 x 55mm
Material (housing)	Polycarbonate
Temperature (operation)	0 ... +40°C
Protection class (EN 60529)	IP40
Connection	M12-connector / M12 socket

Dimensional drawing



Connection



Notes:

Only use lamps with the plug assignment specified under "connection" (Pin 1 = 24V DC, PIN 3 = 0V).

The power supply is connected to the M12-connector using an M12 cable socket (e.g. VK200025).

The LED light is connected to the M12 socket using a connection cable (e.g. VK200F25).

After correct connection, you can turn the light on and off with the switch.

The brightness of the connected LED light can be set with the potentiometer.

SAFETY INSTRUCTIONS:

Before commissioning, please make sure that all safety instructions listed in the product documentation, if applicable, have been observed!

In case of direct impact on personal safety, the use of these products is prohibited.